

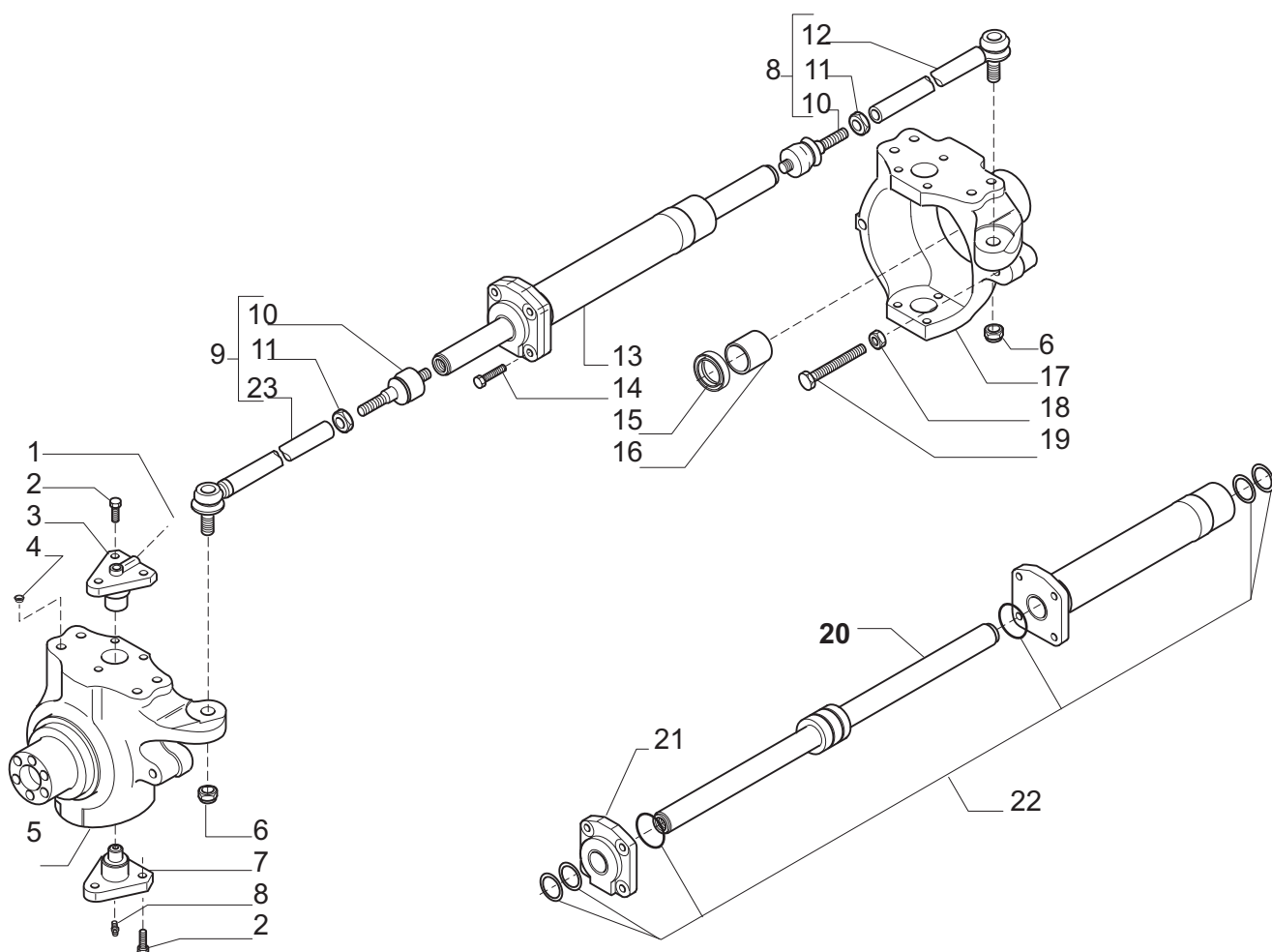


CARRARO DRIVETECH

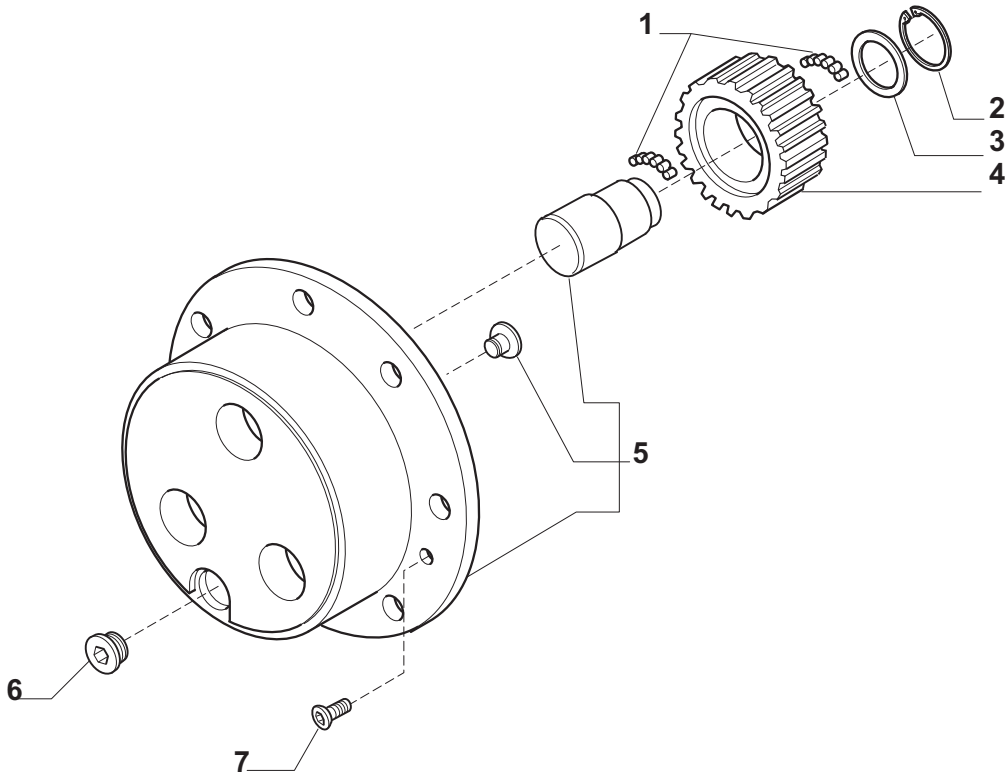
Catalogo Parti Di Ricambio
Spare Parts List

ASSALE 20.19
20.19 AXLE
REF. 139099

- 1.0.0 Corpo assale
Axle housing
- 2.0.0 Calotte e cilindro di sterzo
Swivel housings and steering cylinder
- 3.0.0 Coppia conica
Bevel gear set
- 4.0.0 Differenziale
Differential
- 5.0.0 Doppio giunto
Double U-joint
- 6.0.0 Mozzo ruota
Wheel hub
- 7.0.0 Riduzione epicicloidale
Final reduction



Pos.	Ref.	Q.ty	Descrizione	Description	Kit	Note
1	024210	4	Ingrassatore M6x1	Greaser nipple M6x1		
2	126922	12	Vite M14x35	Bolt M14x35		
3	128880	2	Perno snodo calotta	King pin		
4	030755	8	Tappo D.14,5	Plug D.14,5		
5	145011	1	Calotta SX	Swivel housing LH		was 133683 until s/n 501
6	022431	2	Dado M20x1.5	Nut M20x1.5		
7	128881	2	Perno snodo	King pin		
8	139648	1	Asta guida DX	RH Steering arm assy		
9	132659	1	Asta guida SX	LH Steering arm assy		
10	350400	2	Snodo sferico	Ball joint	139648/132659	
11	070787	2	Dado M24x1.5	Nut M24x1.5	139648/132659	
12	351801	1	Tirante snodo DX	RH Tie rod	139648	
13	132735	1	Martinetto	Steering cylinder		
14	128534	4	Vite M12x45	Bolt M12x45		
15	144485	2	Anello tenuta	Seal ring		was 123208 until s/n 501
16	125390	2	Bronzina	Bush		
17	145012	1	Calotta DX	Swivel housing RH		was 133684 until s/n 501
18	022129	2	Dado M16	Nut M16		
19	124748	2	Vite M16x100	Bolt M16x100		
20	049223	1	Stelo completo	Rod	132735	
21	049221	1	Testata martinetto	Cylinder head	132735	
22	049220	1	Kit guarnizioni	Oil seal kit	132735	
23	351064	1	Tirante SX	LH Tie rod	132659	



Pos.	Ref.	Q.ty	Descrizione	Description	Kit	Note
1	028370	33.6	Rullini (a decine)	Needle bearings (by tens)		
2	024793	6	Anello seeger D.38	Snap ring D.38		
3	135366	6	Ralla	Thrust washer		
4	135947	6	Ingranaggio Z23	Gear Z23		
5	066285	2	Kit treno portasatelliti	Planetary carrier assy		
6	125280	2	Tappo M30x2	Plug M30x2		
7	020490	4	Vite M8x20	Bolt M8x20		